



sepron™

LEACH DRAIN

MK2 - Installation Guidelines

Advantages of a sepron leach drain

sepron are the Australian wide leaders in Leach Drains, Septic tanks and components.

The sepron leach drains are are lightweight, easy to handle and durable. This makes them the preferred choice for plumbers.

Leach Drain Specifications

Measurements	50mm x 50mm holes 5mm Thick Mesh 800mm Length 600mm Width 450m Height
Galvanised Coating	100 Microns (AS4680)
Plastic Coating Thickness	1 mm
Inserts to be placed	250mm apart (in line with inserts)
Infiltrative Area	Approx. 1.1m2 per metre of length



Other Products

- Audio Visual Alarm
- High Level Float
- Poly Septic Tanks

sepron MK2 leach drain

Installation instructions are to be read prior to preparation of area for installation of Leach drains.

Leach Drains should be installed in accordance with Local Government Shire and Department of Health guidelines.

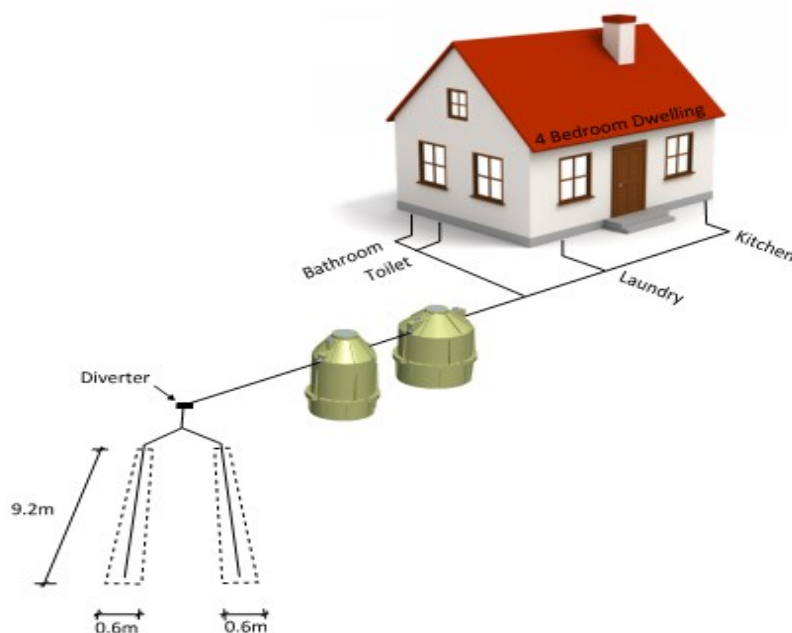
Leach Drains are not intended for use within any trafficable area.

The *sepron* MK2 leach drain has been manufactured and tested to the highest standards and will provide many years of service by following these installation guidelines.

IMPORTANT

The following information must be read in conjunction with local council, government authorities or relevant standards applicable to this installation.

Only qualified personnel who are familiar with all OH&S guidelines and safety requirements should install your *sepron* leach drain.



Tips for Maintaining Your Leach Drains

- ✓ Divert surface waters away from the leach drain area
- ✓ The leach drain is “Non Trafficable” - Keep cars, motorbikes and heavy equipment off the installation area.
- ✓ Keep any building additions, pools, driveways, or other construction work a minimum of 1.8m away from the leach drains .
- ✓ It is recommended to use biodegradable cleaning products and detergents.
- ✓ Use water conservatively. Typical indoor water use is about 150 to 180 litres per day for each person in the family.
- ✓ Avoid pouring grease or cooking oils down the drain.
- ✓ Put only domestic wastewater into the system. Adding other materials (special additives, chemicals, sanitary napkins, and so on) may harm the bacteria.
- ✓ Have the solids pumped out of the septic tank periodically. (Approx every 4 to 8 years).
- ✓ Do not dispose of old medicines, large amounts of disinfectant (biocides) or other strong chemicals into the septic tank. These can kill the normal bacteria and interfere with your leach drains.

Installation Guidelines

Step 1 - Site Visit

You need to determine that the MK2 leach drain will fit within the guidelines set by the Shire or Council for that area.

Step 2 –Documentation

You need to make sure you have the most up to date plans and any variations from your client (eg: Site plan & Floor plan).

You need to check you have the Shire Approval from local government.

Step 3 –Installation

First check that there are no services (ie electrical, gas, water, telephone, irrigation) in the area you are to install the sepron leach drain.

Dial before you dig “1100”

Step 4 - Site Preparation

Prepared sand for leach drains. Ensure you have removed all rocks and debris.



Step 5 - Assembly

Assemble cages with plastic inserts.

4 inserts per cage with a maximum of 250mm spacing



Then place galvanised bracing rods with a minimum spacing of 250mm



Step 6

Align cages on prepared base as per approval requirements .



-

Step 7—Distribution Pipe

Fit appropriate connector pipe and distribution pipe into the start of the line and ensure incoming sewer line is installed to correct guidelines.

Step 8

Lay supplied geofabric cloth over the leach drains





Step 9

Cover drains including ends.

Step 10

NOTE: Check if inspection is required by local authority prior to backfill and arrange if needed.

Backfill with clean sand.



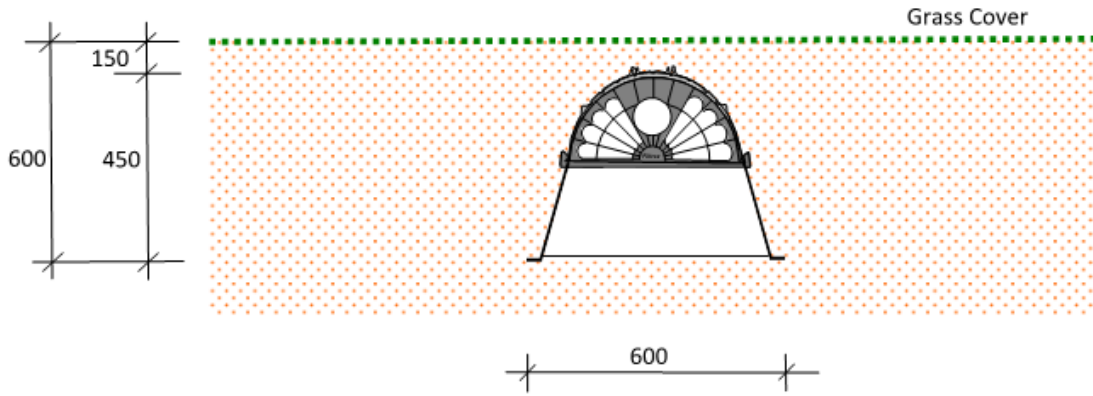
Connection Point

NOTE : IMPORTANT DO NOT BACKFILL WITH CLAY OR ROCKS .

b) Backfill around the installed leach drains in stages. Backfill to be placed evenly in small loads around the leach drains to avoid any possible movement.

c) No compaction to take place .

Maintain adequate vegetative cover over the leach drain field.



Warranty Information

Our goods come with guarantees that cannot be excluded under the Australian Consumer Law. You are entitled to a replacement or refund for a major failure and for compensation for any other reasonably foreseeable loss or damage. You are also entitled to have the goods repaired or replaced if the goods fail to be of acceptable quality and the failure does not amount to a major failure.

sepron leach drains are warranted by sepron against defects in material and workmanship under normal use and service for 5 years from the date of purchase.

Within the warranty period, any product which has a defect will be replaced or repaired by an authorized service agent at manufacturers discretion.

This warranty only applies if the product has been installed and used in accordance with the installation instructions and leach drain information booklet.

The warranty does not cover damage resulting from use of accident, tree roots, misuse, neglect, abuse, heavy load, natural disasters such as flood, fire, earthquake or lightning, repairs by unauthorised persons or exposure to abrasive or corrosive substances. The warranty does not apply to or shall not warrant any material or product that has been repaired or modified without prior approval from the manufacturer.

Owner Details:

Name:
Address:
.....Postcode:
Phone: Email:

Date of Purchase:

Installer Details:

Company :.....
Address:
.....Postcode:
Phone:
Email:

Contact Us

Give us a call for more information about our services and products

sepron

1300 017 170
(08) 97 260 257
sales@sepron.com.au

Visit us on the web at
www.sepron.com.au

