

Poly Tank 1000L



Model No: SEP1000

Fully Tested to Australian Standards (AS/NZD 1546.1:2008) our sepron Sep1000 Pump Pit tanks are roto-moulded Polyethylene tanks unique to sepron.

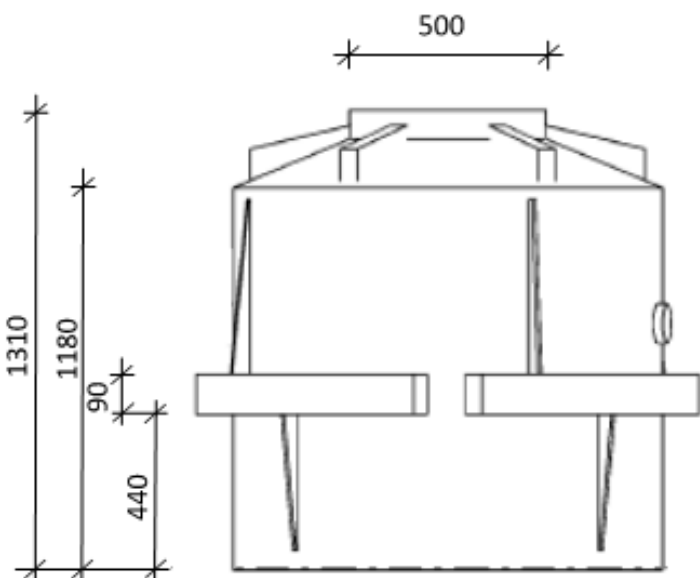
Features

Manufactured and Designed by sepron in Western Australia this product is lightweight yet durable for installation by the homeowner or contractor/builder. Anti Flotation ring incorporated into design. Supplied as a complete unit including lid and inlet fitting.

A very durable and lightweight septic tank (non trafficable) for easy transport and manoeuvring on site.

Specifications

◆ Anti Flotation Ring	
◆ Weight	60KG
◆ Height	1310mm—1370mm with Lid
◆ External Width (Including Anti flotation Ring)	1300 MM
◆ Tank Inlet Level Height	600 MM
◆ Tank Outlet Level Height	Determined on site and custom fitted



Australian Standard